

Protecting Your Home Above and Below

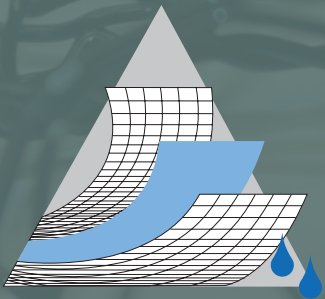
Advanced ventilation
products that protect
what matters most.



R-VENT[®]
Roof Ventilation Mat



CEDAIR-MAT[®]
Roof Ventilation Mat



ADVANCED
Building Products Inc.



Ventilation: A Roof's Hidden Guardian

A roof is more than just shingles and panels. It's the home's first line of defense against the elements. But even the finest cedar shakes or premium metal roofing needs a silent partner working behind the scenes to perform at their best.

Just like a home, a roof needs to breathe. In today's world of tighter building envelopes and energy efficiency requirements, traditional roofing methods now leave your home vulnerable to:

- Trapped moisture that slowly damages your roof from the inside out
- Temperature swings that stress and distort roofing materials
- Higher energy costs from poor temperature regulation
- Premature aging that can void material warranties

Three Costly Myths That Put Roofs at Risk

The myth: "Quality materials alone ensure longevity."

The truth: Even premium materials need proper ventilation to perform their best.

The myth: "If there's no leak, there's no problem."

The truth: By the time you see a leak, hidden damage may have already taken its toll.

"Basic underlayment provides enough ventilation."

The truth: Modern homes need modern solutions that actively manage airflow.

These assumptions cost homeowners thousands in repairs, and put architects' and builders' reputations at risk. Modern buildings demand modern solutions; ones that actively manage airflow and moisture while preserving structural integrity.

Many homeowners and builders focus on selecting beautiful, durable roofing materials. But what happens beneath those materials determines how well a roof protects a home—and how long that roof lasts.



Engineered Excellence for Metal Roofs

Smart Design. Superior Defense.

Metal roofing speaks of strength and permanence. It's an investment in a home's future, promising decades of protection and style. But even the strongest materials need an ally. R-Vent® works silently beneath your metal roofing to:

- Create continuous airflow that prevents moisture buildup
- Reduce noise from rain and hail
- Maintain an essential thermal break between your roof and home
- Flex and conform perfectly to any roof shape
- Extend the life of your entire roofing system

PRODUCT SPECIFICATIONS

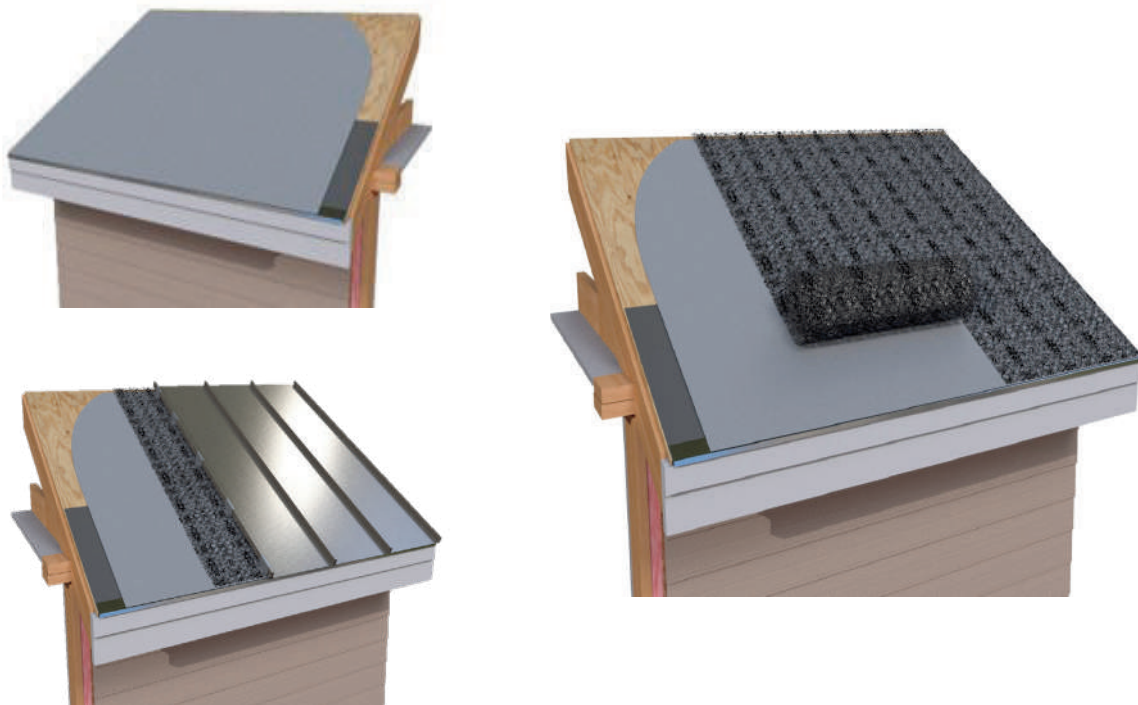
- Core Material: Nylon 6
- Thickness: 0.361 in. (9.16 mm)
- Coverage: 200 sq. ft. per roll
- Roll Dimensions: 39.0 in. x 61.5 ft.
- Roll Weight: 12.0 lbs
- Rolls per Pallet: 18
- Mass/Unit Area (ASTM D 5261): 8.66 oz/sq. yard
- Tensile Strength (ASTM 5035 mod): Machine Direction: 100.0 lbs/sq. ft., Transverse Direction: 68.8 lbs/sq. ft.
- Elongation (ASTM 5035 mod): Machine Direction: 60%, Transverse Direction: 53%

How Do You Install R-Vent®?

Installing R-Vent® is simple and straightforward. It rolls out vertically under your metal roofing, creating a seamless protective layer as you go. Its lightweight, flexible design makes it easy to handle and quick to secure in place.

INSTALLATION INSTRUCTIONS

1. R-Vent® should be butted together. DO NOT OVERLAP.
2. R-Vent® can be installed horizontally or vertically. The vertical is sometimes preferred, as the metal roof can be installed right after the mat.
3. Loose lay R-Vent® and smooth any wrinkles, beginning at the ridge. Begin the next row running in the same direction.
4. At the ridge, lap the R-Vent® at least 6 inches over the ridge. If ridge ventilation is required, use details recommended by ridge vent manufacturer.
5. Some details at the rake edge may require extra R-Vent® be folded down on the face of the edge to provide ventilation behind the rake or drip edge.



Scan the QR code for detailed installation specs and tips.





CEDAIR-MAT[®]

Roof Ventilation Mat

The Secret to Cedar Longevity

Perfecting Nature's Beauty, By Design

Cedar roofs tell a story of natural beauty and craftsmanship. Each shake and shingle brings character to your home, creating a look that grows more distinguished with age. But cedar's natural grace requires understanding; it needs to breathe, to move, and to adapt with the seasons. Our revolutionary CedAir-Mat[®] features a unique 90% open mesh design that:

- Creates optimal airflow to keep cedar at its best
- Prolongs the natural beauty and life of your cedar roof
- Reduces interior noise
- Installs easily under any roof configuration
- Provides 75% better airflow than competitive products

PRODUCT SPECIFICATIONS

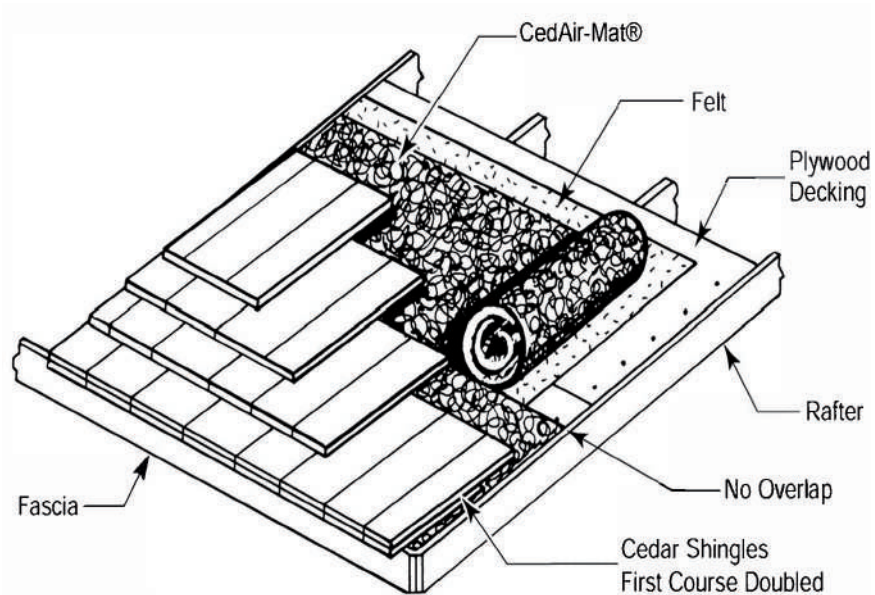
- **Core Material:** Nylon 6
- **Thickness:** 0.407 in. (10.35 mm)
- **Coverage:** 200 sq. ft. per roll
- **Roll Dimensions:** 39 ft. x 61.5 in.
- **Roll Weight:** 14 lbs
- **Rolls per Pallet:** 12
- **Mass/Unit Area (ASTM D 5261):** 8.66 oz/sq. yard
- **Tensile Strength (ASTM 5035 mod):** Machine Direction: 100 lbs/sq. ft., Transverse Direction: 68.8 lbs/sq. ft.
- **Elongation (ASTM 5035 mod):** Machine Direction: 60%, Transverse Direction: 53%

How Do You Install CedAir-Mat®?

Installing CedAir-Mat® is as easy as “unroll and go.” It integrates seamlessly with standard roofing practices. Unroll it over your roofing felt, securing it as you go.

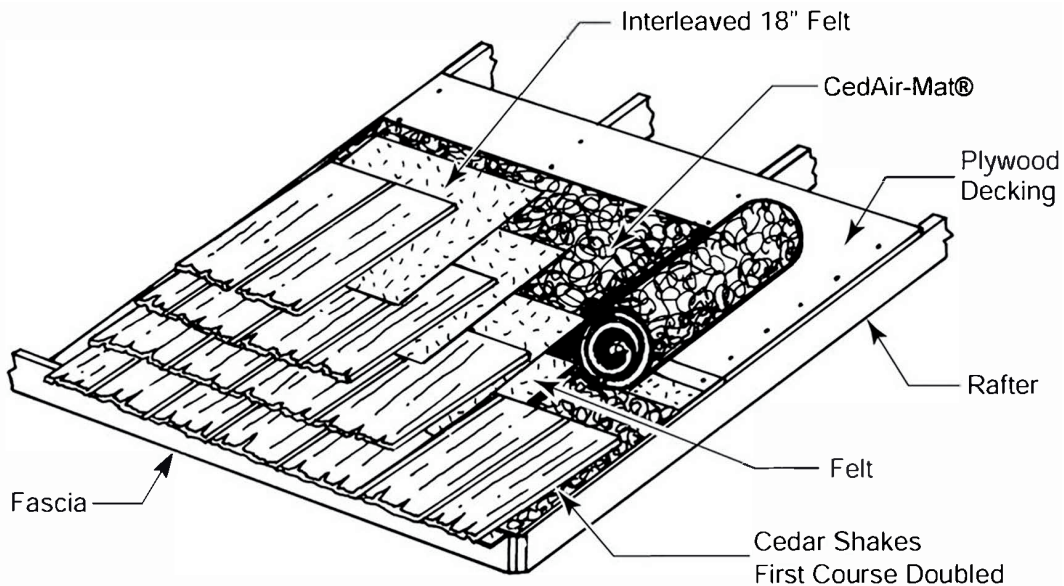
INSTALLATION UNDER CEDAR SHINGLES

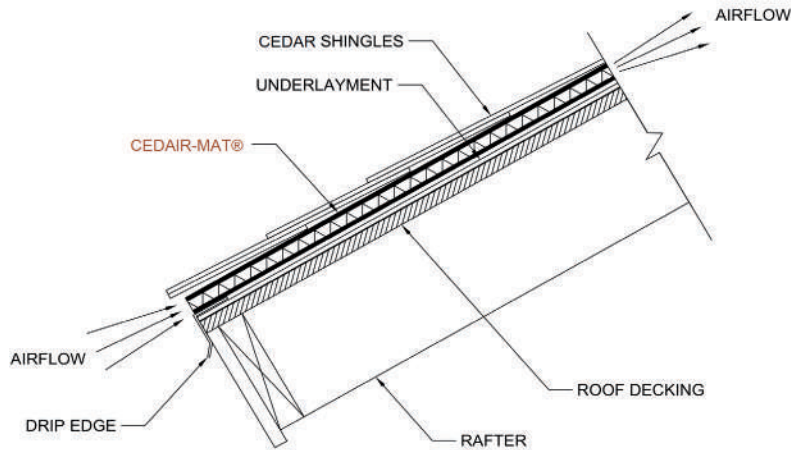
1. CedAir-Mat® should be butted together. DO NOT OVERLAP.
2. Roll out CedAir-Mat® horizontally, at the bottom of the slope.
3. Work from the bottom of the fascia to the ridge, by attaching the first width of CedAir-Mat® using a hammer tacker or cap nailer. Attach every three square feet.
4. Follow manufacturers’ recommendations to install cedar shingles. Nail length should penetrate plywood deck a minimum of $\frac{3}{4}$ ” or penetrate through the deck. Allow for thickness of CedAir-Mat®.
5. After covering the first course of CedAir-Mat® with shingles, butt the next course of CedAir-Mat® to the first course with the same attachment method. Repeat until the roof slope is complete.
6. NOTE: Avoid walking on CedAir-Mat® as it can be slippery when wet. Use caution and appropriate safety equipment to prevent falls.



INSTALLATION UNDER CEDAR SHAKES

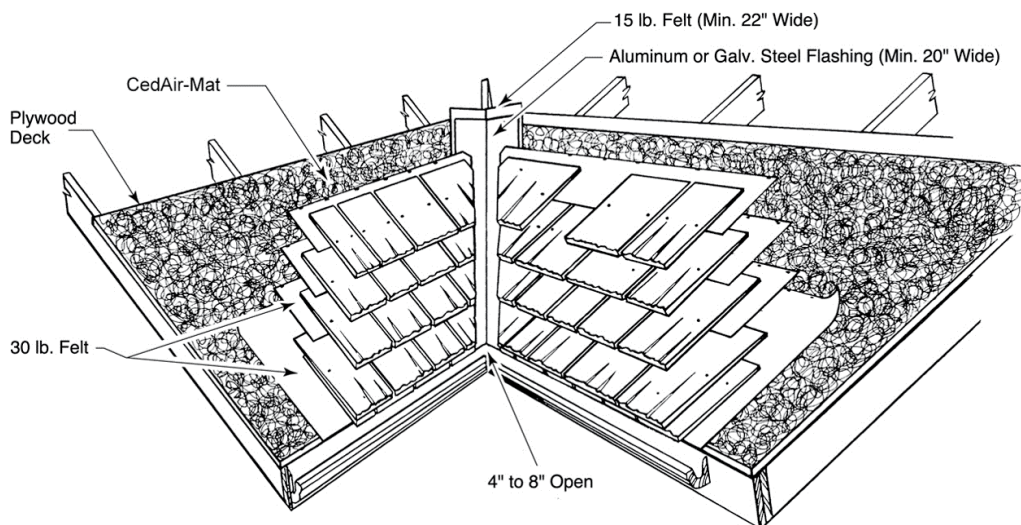
1. Butt the CedAir-Mat® rolls together. DO NOT OVERLAP.
2. Roll out CedAir-Mat® horizontally, at the bottom of the slope.
3. Work from the bottom of slope to the ridge, by attaching first width of CedAir-Mat® using a hammer tacker or cap nailer, with an attachment approximately every 3 square feet.
4. Lay an 18" wide strip of #30 roofing felt over the upper part of the shake extending on to the CedAir-Mat®. Place the lower edge of felt, 2 times the weather exposure, above the butt of the shake (refer to manufacturers' installation recommendations).
5. Follow manufacturers' recommendations to install cedar shingles. Nail length should penetrate plywood deck minimum of $\frac{3}{4}$ " or penetrate through the deck. Allow for thickness of CedAir-Mat®.





INSTALLATION AT VALLEY LOCATIONS

1. Valley flashing for cedar shingles/shakes should be installed above the asphalt felt/synthetic roof underlayment layer and CedAir-Mat® and in direct contact with underside of shingle or shake/interleaved felts.
2. Under the valley apply a 24" width of asphalt felt/synthetic roof underlayment layer over the CedAir-Mat®.
3. Use 22" wide aluminum or galvanized steel valley flashing with a center crimp. This should be 8" minimum on both sides for shingles, 11" on both sides for shakes.
4. An open valley width of 4"-8" should be maintained depending on expected water volume. Shakes should not be applied with their grain parallel to the valley centerline and those extending into the valley should be cut parallel to the center crimp of the valley.



Scan the QR code for detailed installation specs and tips.



Partner With a Pioneer in Building Protection

A Legacy of Innovation

It started in 1989 in Sanford, Maine, with a simple but powerful idea: there's a better way to reduce moisture intrusion.

What began as an innovative design in our Maine facility has grown into a nationwide movement in building science. Today, our patented technology doesn't just set industry standards—it's redefining what's possible in home protection. From modest beginnings, we've become the trusted partner of America's leading architects and builders, protecting thousands of homes across the country.

Why Choose Advanced Building Products?

We're not just manufacturers; we're problem solvers and protection pioneers. Every product we design comes from listening to builders' challenges and collaborating with building science experts. Our commitment goes beyond merely meeting industry standards. We're helping to write them. When you choose ABP, you're not just getting a product; you're getting a partner who's as committed to your success as you are.

From our facility in Sanford, we continue to pioneer new ways to protect American homes. Every roll of material we produce carries with it our commitment to excellence and innovation—the same commitment that's made us the trusted choice of building professionals for over 30 years.

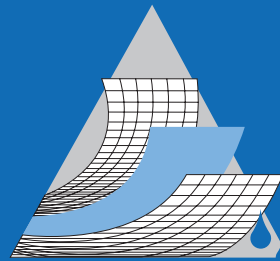
Made in Maine. Trusted Nationwide.

Deflect, Drain, and Dry.

Your next project deserves the best in moisture protection and ventilation technology. Our team is ready to help.

Connect With Us: (800) 252-2306 / Info@ABP-1.com





ADVANCED
Building Products Inc.

95 Cyro Drive, Sanford, ME 04073
P / (800) 252-2306 F / (207) 490-2998
AdvancedBuildingProducts.com